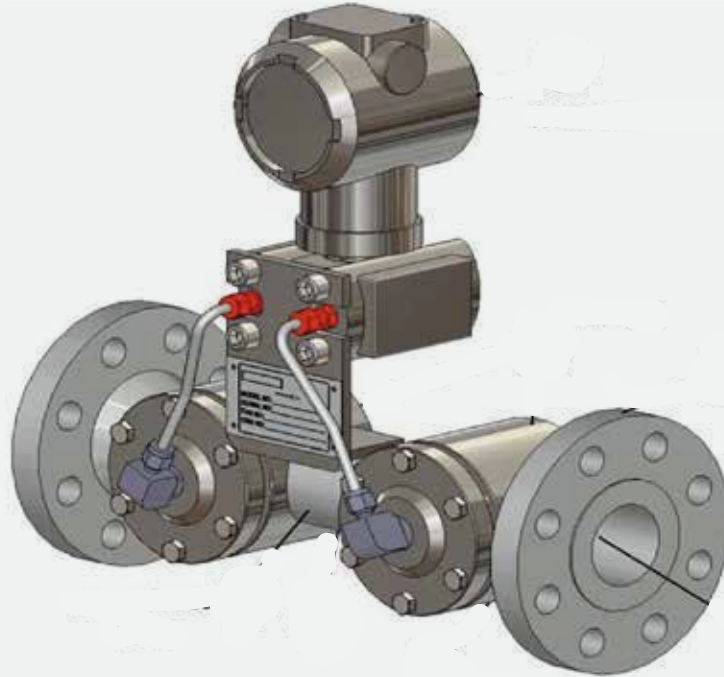


Nistar Wedge Meter Model 2000



Reduced Bores for low flow applications

Size: $\pm 2"$ SCH 80

Connection: Flanged ANSI Class 300#

Accuracy: ± 1 to 2 % of rate

Repeatability: $\pm 0.1\%$ of rate

Process Temperature: Up to 600 °F

Pressure Rating: Up to 1000psi

Minimum Reynolds Number: 500

Manifold: 3 Way Valve

Transmitter: ABB 266 with Diaphragm Seals
to custom Seal Pots.

Material: 316 SS

Design Standards based on
Kent Taylor, R.W. Miller , ASME
B31.1 and B31.3

MTR's and NACE certificates
also available.

Designed to work in highly viscous and slurries that risk
plugging impulse lines or recessed seal connections

nistarflowsystems.com

info@nistarflowsystems.com